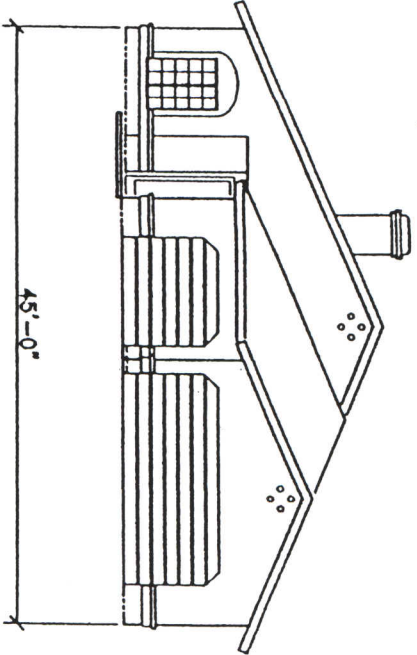
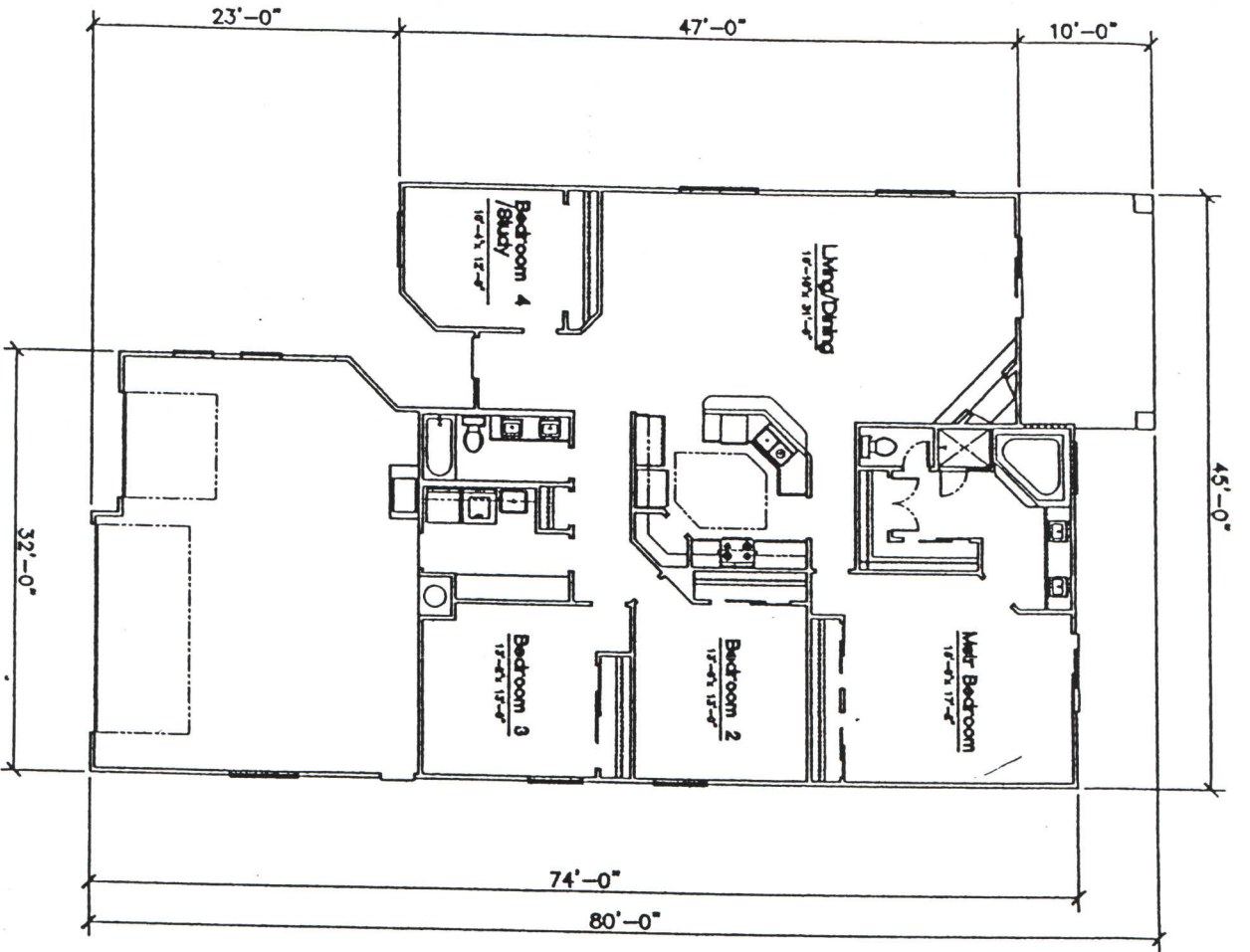


Floor Framing Plan



Front Elevation

C A Vaughn Construction
 509 W. Ward Avenue
 Ridgecrest, Kern County, Ca.

Building Summary	
CONDITIONED SPACES:	2156 SQ FT
GARAGE:	747 SQ FT
REAR PATIO:	176 SQ FT